

KVM 28X

Truck-mounted concrete pump
with 3-section placing boom



It took 20 years to improve on this pump

Contractors, ready-mix producers and concrete pumpers have appreciated the practical reach of the 28-meter boom for more than twenty years. Now this workhorse is updated with X-style outriggers for faster, more convenient set-up. With the patented roll and fold boom design the 28X reaches up, out and down to pour more in less time. Choose from a broad range

of pump kits to tailor your 28X to the market with outputs from 75 to 170 yards per hour. The second generation Schwing 28X is ready to live up to the reputation established by the most widely accepted boom pump in North America.

Generation 3

Schwing proudly offers the concrete pump that will define reliability for the next millennium.

Engineering refinements thoroughly tested in the field bring increased performance and smoothness to the pumping process with lower noise levels, higher volume and higher profits for pump owners. Choose from three available pump kits that provide consistent pumping performance aided by reliable, all-hydraulic operation and the legendary Schwing Rock Valve.

Not only do you receive world-class performance at up to 170 yds./hr. output but also the lowest cost per yard expenses when you operate with the Generation 3 concrete pump.

Parts, service and an experienced sales staff add so much to the value of your concrete pump. Only Schwing combines multiple parts stocking locations throughout North America and the most

Three-section overhead Roll & Fold design allows maximum boom utilization.

Common elbows on boom simplify spare parts stocking.

Storage for slickline with fold down side boards for easy access.

Gradual taper from 7" outlet to 5" boom pipe assures smooth concrete flow.



Pipeline brackets are welded on both sides of boom for secure attachment.

Manual boom controls near turret for easy access once boom is unfolded.

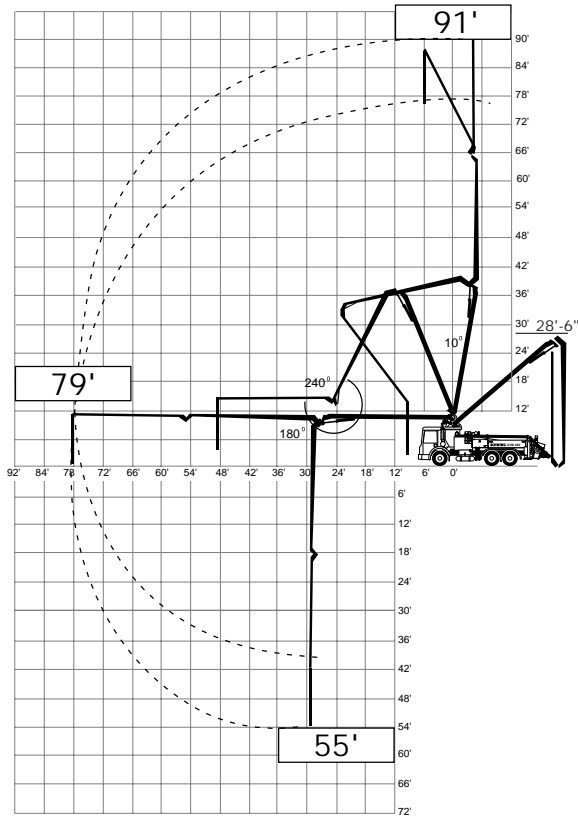
Water system features external pump, high volume tank and outlet near hopper.

Hydraulically driven agitator with optional hopper vibrator assures continuous, smooth flow of concrete to the pumping cylinders.

knowledgeable dealer network. Along with our 300,000 square foot manufacturing plant in Minnesota this makes Schwing the unbeatable choice for your long-term future. Look no further - Schwing engineers your success with the latest technology in concrete pumping

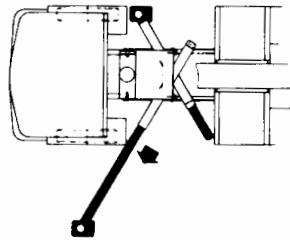
Three-section boom versatility and operator convenience

KVM 28X Boom Chart



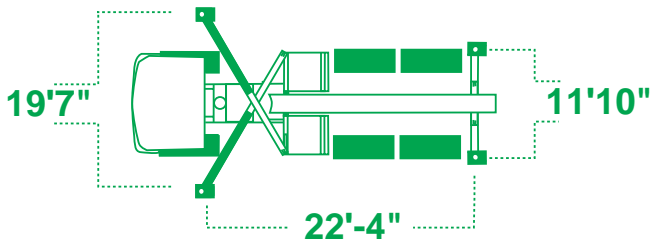
Use the proven **three section roll and fold boom** to reach in, out, down, over and under. The possibilities are endless and the results impressive when you snake this boom into buildings, under bridges and into excavations.

Fully extended, the 28X pumps out medium rise structures, foundations and slabs. A boom with this agility performs where no other method of concrete placement can. The entire pump and boom rides on a rigid torsion subframe. Stability in all boom positions is the result even at maximum output.



◀ Unique "X" style outriggers set-up fast on crowded job sites by telescoping out to provide firm footing.

Maximum stability in the smallest space is provided by the "X" style hydraulic outriggers. ▼



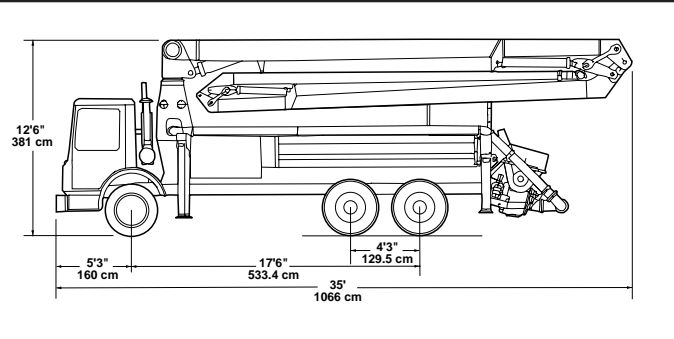


| Pump Kits on 28X | 900 | 1200 | 2023-4 |
|-------------------------------------|------|------|--------|
| Theor. Concrete Output (cu./yds/hr) | 117 | 171 | 170 |
| Max. Pressure on Concrete (psi) | 870 | 759 | 1007 |
| Max. Strokes/Min. | 30 | 26 | 26 |
| Pump Cylinder Diameter (in.) | 8 | 9 | 9 |
| Pump Cylinder Stroke Length (in.) | 63 | 79 | 79 |
| Differential Cylinder Size (in.) | 4.7 | 4.9 | 5.1 |
| Max. Aggregate Size (in.) | 2.5 | 2.5 | 2.5 |
| Hydraulic System Pressure (psi) | 4350 | 4350 | 5075 |

Specifications are subject to change without prior notice

| Boom Specifications | U.S. | Metric |
|--------------------------|----------------|---------|
| Pipeline Diameter | 5" | 125 mm |
| Vertical Reach | 92' | 28 m |
| Net Horizontal Reach | 73' | 24 m |
| Reach from Slewling Axis | 79' | 29.2 m |
| Unfolding height | 28' 1" | 8.5 m |
| Section Length | First Section | 28' 3" |
| | Second Section | 26' 7" |
| | Third Section | 23' 9" |
| Slewling Range | 370° | 370° |
| End hose length | 12' 6" | 4000 mm |

Specifications are subject to change without prior notice



SCHWING
AMERICA INC.

5900 Centerville Road
St. Paul, MN 55127
Tel 651-429-0999
Fax 651-429-3464
www.schwing.com

Represented by