



SCHWING

G² *eneration*

KVM 39X

Detachable Boom

Separate Placing Boom



Best reach to weight ratio at 12,890 lbs.

Order your KVM 39X truck-mounted pump with optional Generation 2 detachable placing boom for ultimate versatility. Pump a highrise in the morning with the boom 20 stories up, reattach the boom to the truck in the afternoon and pump a residential foundation wall. Four pins and eight quick-connect hydraulic hoses are all that separate you from profitable pumping on or off the truck. With the best reach to weight ratio the Gen 2 boom, at 12,890 pounds, can be applied to the widest range of projects. Now enjoy 127-feet of vertical reach with your truck-mounted pump plus have the ability to cover 40,000 square feet with 550 degrees of rotation and 114-feet of horizontal reach as a separate placing boom.



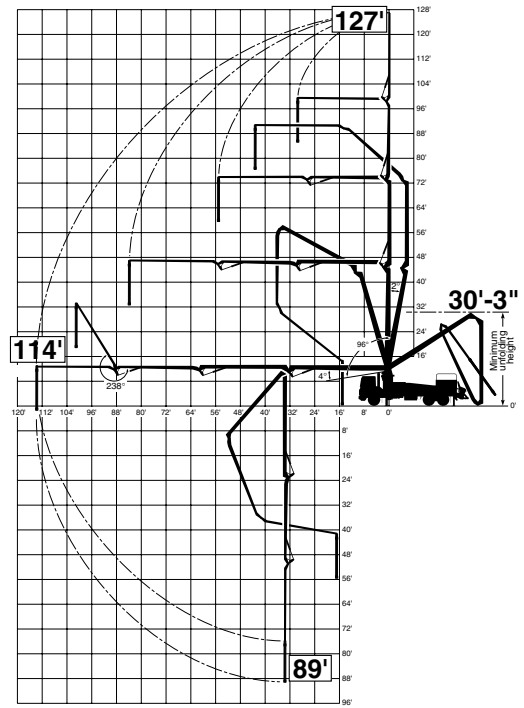
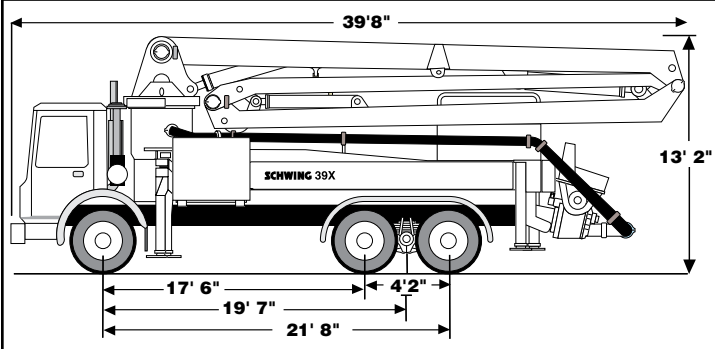
Powerpack/Reservoir

Here is the key to the Gen 2 concept. The Powerpack/Reservoir is a separate assembly that is positioned at the landing point prior to flying the boom. This is the beauty of the Gen 2 and explains its light weight and mounting speed.



Detachable

Plan for the future by ordering your KVM 39X with the optional Gen 2 adaptor. You still enjoy all of the benefits of a 39-meter boom mounted on a three axle truck for everyday use, but you are ready for a separate placing boom job in the future.



5900 Centerville Road
 St. Paul, MN 55127
 Tel: 1-888-SCHWING
 Fax: 651-429-3464
 www.schwing.com

Represented by